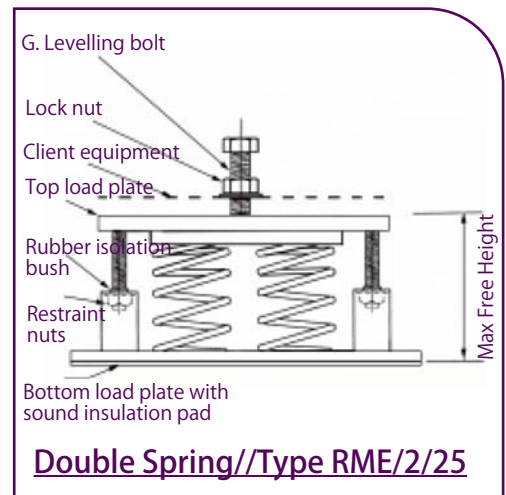
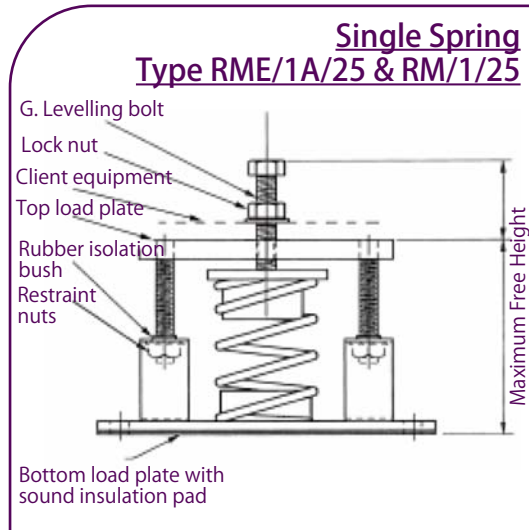
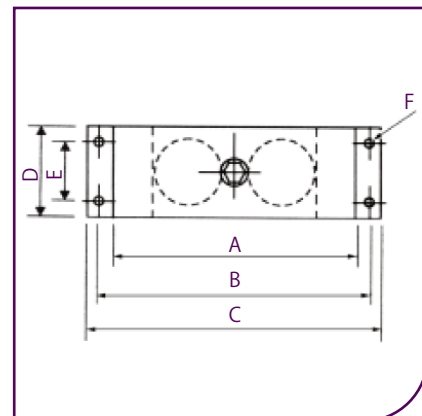
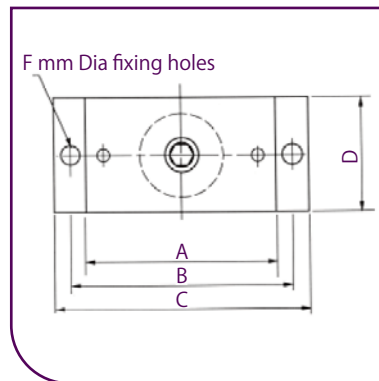


Restrained Spring Mounts with External Levelling//Type RME

Type RME are free standing restrained mounts with external levelling. The springs are positioned between a steel bottom load plate, bonded to a neoprene stop pad and a steel top load plate. The spring is held in with two drilled and tapped steel restraints.



The supported equipment is held between the top load plate and a lock nut. The mounts may be fixed down utilising then pre-drilled holes in the base plate. Alternatively, the neoprene pad will act as a friction pad.



Dimensional Data mm									Load Range Kg	Nom Defl mm	J
Type	A	B	C	D	E	F	G	H			
RME/1A/25	165	190	230	90	60	14	12	140	11-500	25	-
RME/1/25	190	220	250	90	70	14	20	188	97-1091	25	-
RME/2/25	330	370	410	130	70	14	20	190	193-2182	25	70
RME/1/50	190	220	250	90	70	14	20	215	22-907	50	-
RME/1/75	210	240	280	130	60	14	20	245	22-907	75	-
RME/1/100	330	358	408	200	60	14	20	410	45-1361	100	-